

Sealed maintenance-free lead-acid batteries series DTM L ASTERION brand are manufactured by AGM technology (electrolyte absorbed in glass fiber separators) and equipped with VRLA valves. Series DTM L refers to a Long-Life series with a service-life up to 12 years.

Due to a wide range of batteries and their high performance, are recommended for use in a variety of uninterruptible power supply systems, including exacting electrical appliances (submersible and circulation pumps, boilers of heating systems), emergency power supply and other electrical devices.



Battery construction

| Element | Positive plate | Negative plate | Case | Lid | Valve | Terminal | Separator | Electrolyte |
|----------|----------------|----------------|------|-----|--------|----------|------------|-------------|
| Material | Lead dioxide | Lead | ABS | | Rubber | Copper | Fiberglass | Acid |

Specifications

| | |
|---|----------------------------|
| Nominal voltage..... | 12 V |
| Cell..... | 6 |
| Design life..... | 10-12 years |
| Nominal capacity (25°C) | |
| 10 hours rate (9 A; 1,8 V/cell)..... | 90 Ah |
| 5 hours rate (15,4 A; 1,75 V/cell)..... | 77 Ah |
| 1 hours rate (53,5 A; 1,6 V/cell)..... | 53,5 Ah |
| Self-discharge..... | 3% capacity per month 25°C |
| Internal resistance (25°C)..... | 5 mΩ |

Operating temperature range

| | |
|---------------------------------------|-------------|
| Discharge..... | -20÷60°C |
| Charge..... | -10÷60°C |
| Storage..... | -20÷60°C |
| Maximum discharge current (25°C)..... | 900A (5sec) |
| Cycle mode (2,35÷2,4 V/cell) | |
| Max.charge current..... | 27 A |
| Temperature correction factor..... | 30 mV/°C |
| Standby mode (2,25÷2,3 V/cell) | |
| Temperature correction factor..... | 20 mV/°C |

Application

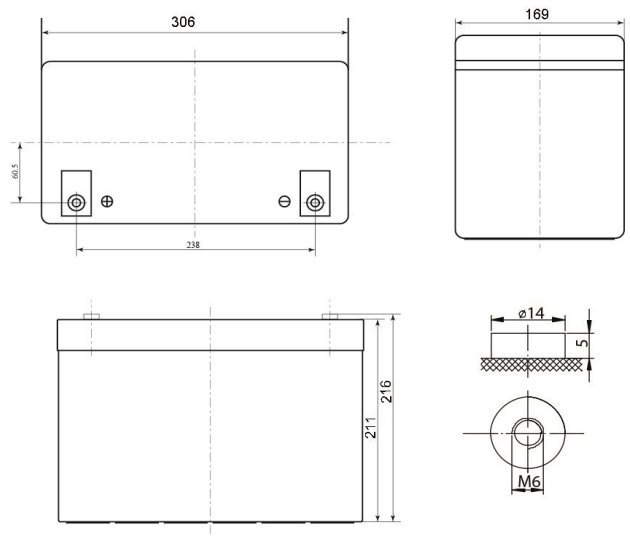
- Uninterruptable power supply
- Back up power supply
- Medical devices
- Wheelchair
- Space-heating system
- Renewable energy systems

Performance & characteristics

- AGM technology allows to recombine 99% of the generated gas;
- No restrictions on air transportation;
- Compliance with the UL requirements;
- Lead plates, alloyed by calcium, provide high energy density;
- Maintenance-free. Do not require distillate topping;
- Long service life;
- The battery case is made of flame-retardant ABS plastic.

Dimensions (±2mm)

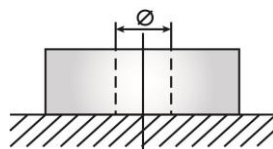
| | |
|--------------------------------|-----|
| Length, mm..... | 306 |
| Width, mm..... | 169 |
| Height, mm..... | 211 |
| Height over terminals, mm..... | 216 |
| Weight (±3%), kg..... | 27 |



Layout
B



Terminal type
Insert Ø6 mm

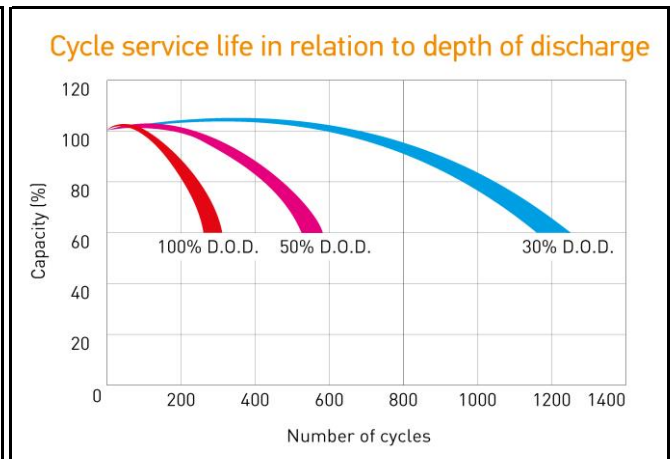
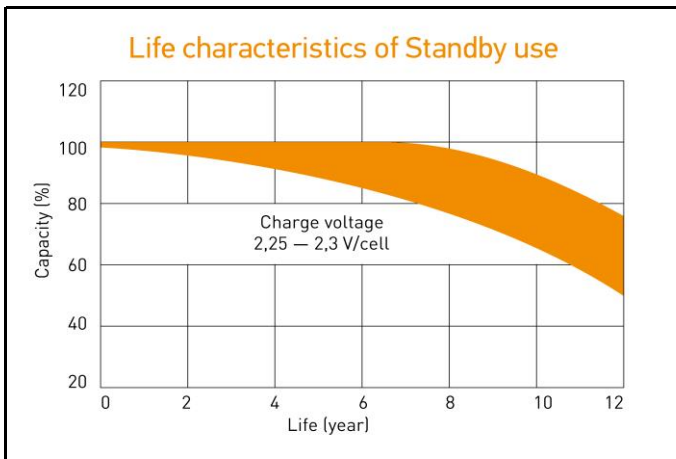
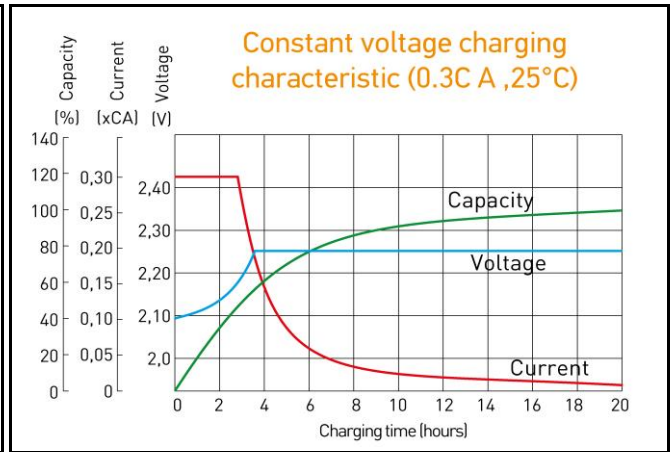
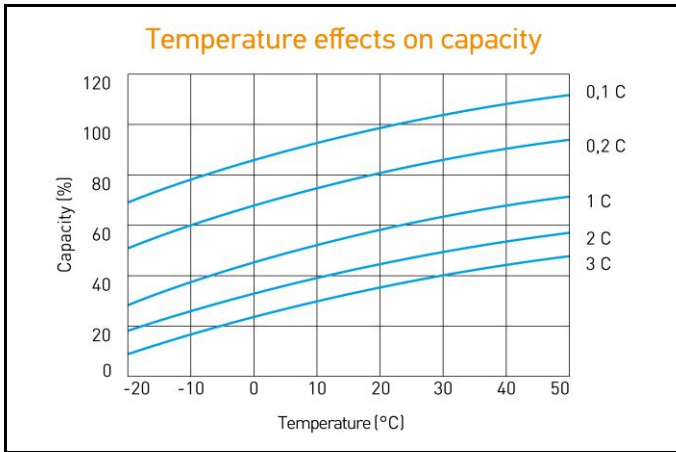


Discharge Constant Current, A (25°C)

| V/cell | 5 min | 10 min | 15 min | 30 min | 45 min | 1 h | 3 h | 5 h | 10 h |
|--------|-------|--------|--------|--------|--------|------|------|------|------|
| 1,60 | 289 | 207 | 162 | 92,0 | 65,3 | 53,5 | 24,0 | 16,2 | 9,20 |
| 1,65 | 267 | 195 | 154 | 89,3 | 63,9 | 52,5 | 23,5 | 16,0 | 9,15 |
| 1,70 | 248 | 183 | 145 | 86,4 | 62,5 | 51,3 | 23,0 | 15,7 | 9,10 |
| 1,75 | 230 | 170 | 136 | 83,2 | 60,9 | 50,0 | 22,5 | 15,4 | 9,05 |
| 1,80 | 208 | 155 | 126 | 80,0 | 58,9 | 48,5 | 21,8 | 15,0 | 9,00 |

Discharge Constant Power, W/cell (25°C)

| V/cell | 5 min | 10 min | 15 min | 30 min | 45 min | 1 h | 3 h | 5 h | 10 h |
|--------|-------|--------|--------|--------|--------|------|------|------|------|
| 1,60 | 529 | 375 | 305 | 172 | 123 | 103 | 46,8 | 31,5 | 17,8 |
| 1,65 | 490 | 363 | 289 | 168 | 121 | 101 | 46,0 | 31,2 | 17,7 |
| 1,70 | 471 | 350 | 281 | 163 | 119 | 99,0 | 45,1 | 30,9 | 17,7 |
| 1,75 | 444 | 335 | 271 | 158 | 116 | 97,0 | 44,2 | 30,5 | 17,6 |
| 1,80 | 419 | 315 | 258 | 152 | 113 | 95,0 | 43,2 | 30,0 | 17,4 |



ALL DATA IS SUBJECT TO CHANGE WITHOUT NOTICE