

Sealed maintenance-free lead-acid batteries series DTM L ASTERION brand are manufactured by AGM technology (electrolyte absorbed in glass fiber separators) and equipped with VRLA valves. Series DTM L refers to a Long-Life series with a service-life up to 12 years.

Due to a wide range of batteries and their high performance, are recommended for use in a variety of uninterruptible power supply systems, including exacting electrical appliances (submersible and circulation pumps, boilers of heating systems), emergency power supply and other electrical devices.



Battery construction

Element	Positive plate	Negative plate	Case	Lid	Valve	Terminal	Separator	Electrolyte
Material	Lead dioxide	Lead	ABS		Rubber	Copper	Fiberglass	Acid

Specifications

Nominal voltage.....	12 V
Cell.....	6
Design life.....	10-12 years
Nominal capacity (25°C)	
10 hours rate (7,5 A; 1,8 V/cell).....	75 Ah
5 hours rate (13,5 A; 1,75 V/cell).....	67,5 Ah
1 hours rate (50,2 A; 1,6 V/cell).....	50,2 Ah
Self-discharge.....	3% capacity per month 25°C
Internal resistance (25°C).....	5,7 mΩ

Operating temperature range

Discharge.....	-20÷60°C
Charge.....	-10÷60°C
Storage.....	-20÷60°C
Maximum discharge current (25°C).....	700A (5sec)
Cycle mode (2,35÷2,4 V/cell)	
Max.charge current.....	22,5 A
Temperature correction factor.....	30 mV/°C
Standby mode (2,25÷2,3 V/cell)	
Temperature correction factor.....	20 mV/°C

Application

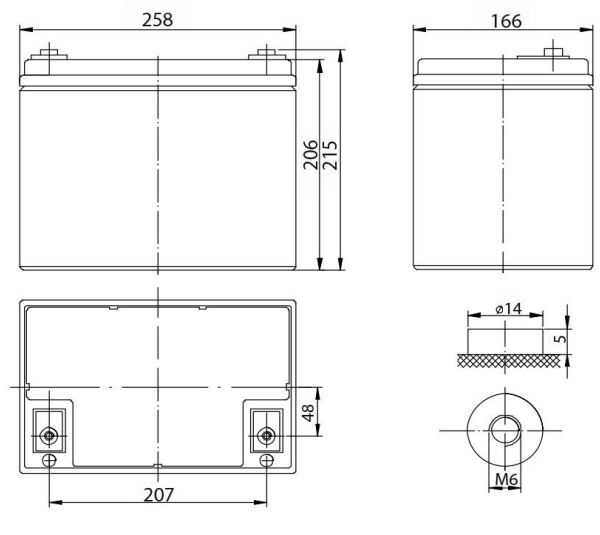
- Uninterruptable power supply
- Back up power supply
- Medical devices
- Wheelchair
- Space-heating system
- Renewable energy systems

Performance & characteristics

- AGM technology allows to recombine 99% of the generated gas;
- No restrictions on air transportation;
- Compliance with the UL requirements;
- Lead plates, alloyed by calcium, provide high energy density;
- Maintenance-free. Do not require distillate topping;
- Long service life;
- The battery case is made of flame-retardant ABS plastic.

Dimensions (±2mm)

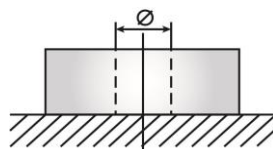
Length, mm.....	258
Width, mm.....	166
Height, mm.....	206
Height over terminals, mm.....	215
Weight (±3%), kg.....	23



Layout
B



Terminal type
Insert Ø6 mm

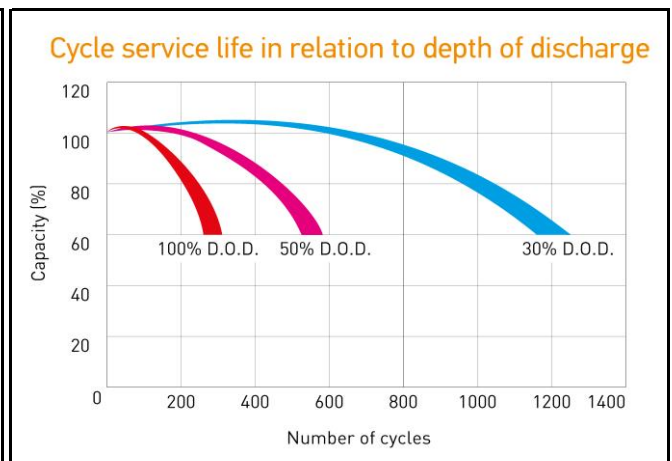
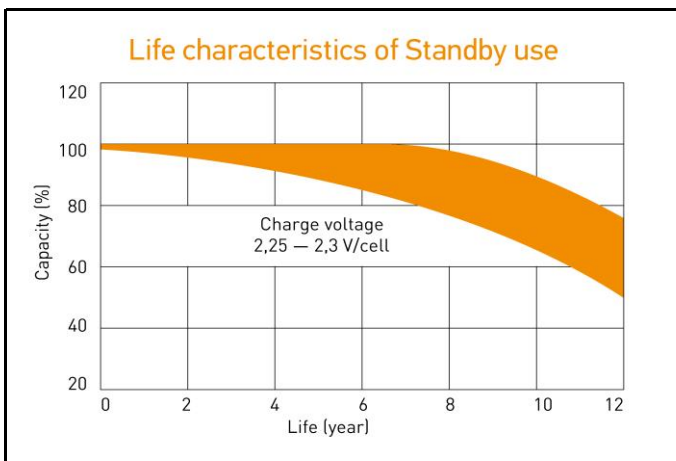
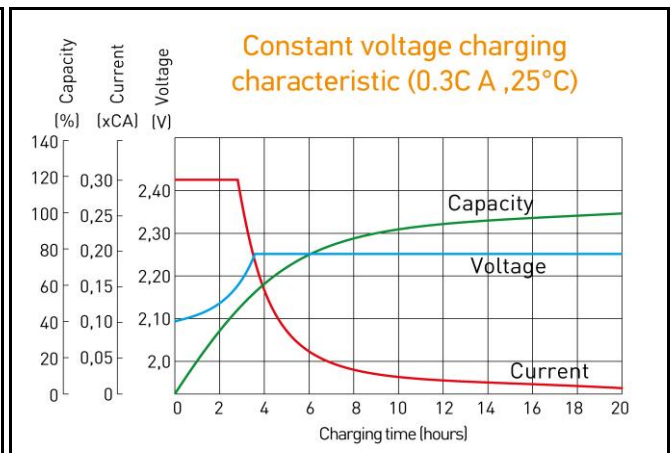
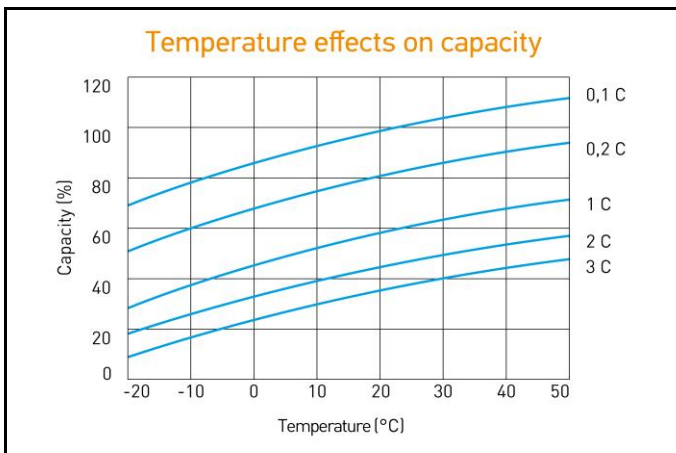


Discharge Constant Current, A (25°C)

V/cell	5 min	10 min	15 min	30 min	45 min	1 h	3 h	5 h	10 h
1,60	240	178	137	81,8	61,7	50,2	21,8	14,3	7,67
1,65	222	169	131	78,3	56,4	47,5	21,4	14,1	7,65
1,70	206	158	122	77,0	55,0	46,9	21,0	13,9	7,60
1,75	195	151	117	73,6	53,7	45,3	20,6	13,5	7,55
1,80	180	139	112	73,1	53,3	43,4	19,8	13,3	7,50

Discharge Constant Power, W/cell (25°C)

V/cell	5 min	10 min	15 min	30 min	45 min	1 h	3 h	5 h	10 h
1,60	413	314	246	158	120	95,7	40,2	26,8	15,1
1,65	403	300	241	153	118	93,6	39,2	26,6	14,7
1,70	375	290	237	145	111	89,8	38,9	26,0	14,4
1,75	356	274	223	142	111	86,5	38,3	26,0	14,2
1,80	341	261	212	141	106	84,2	38,0	25,8	13,8



ALL DATA IS SUBJECT TO CHANGE WITHOUT NOTICE